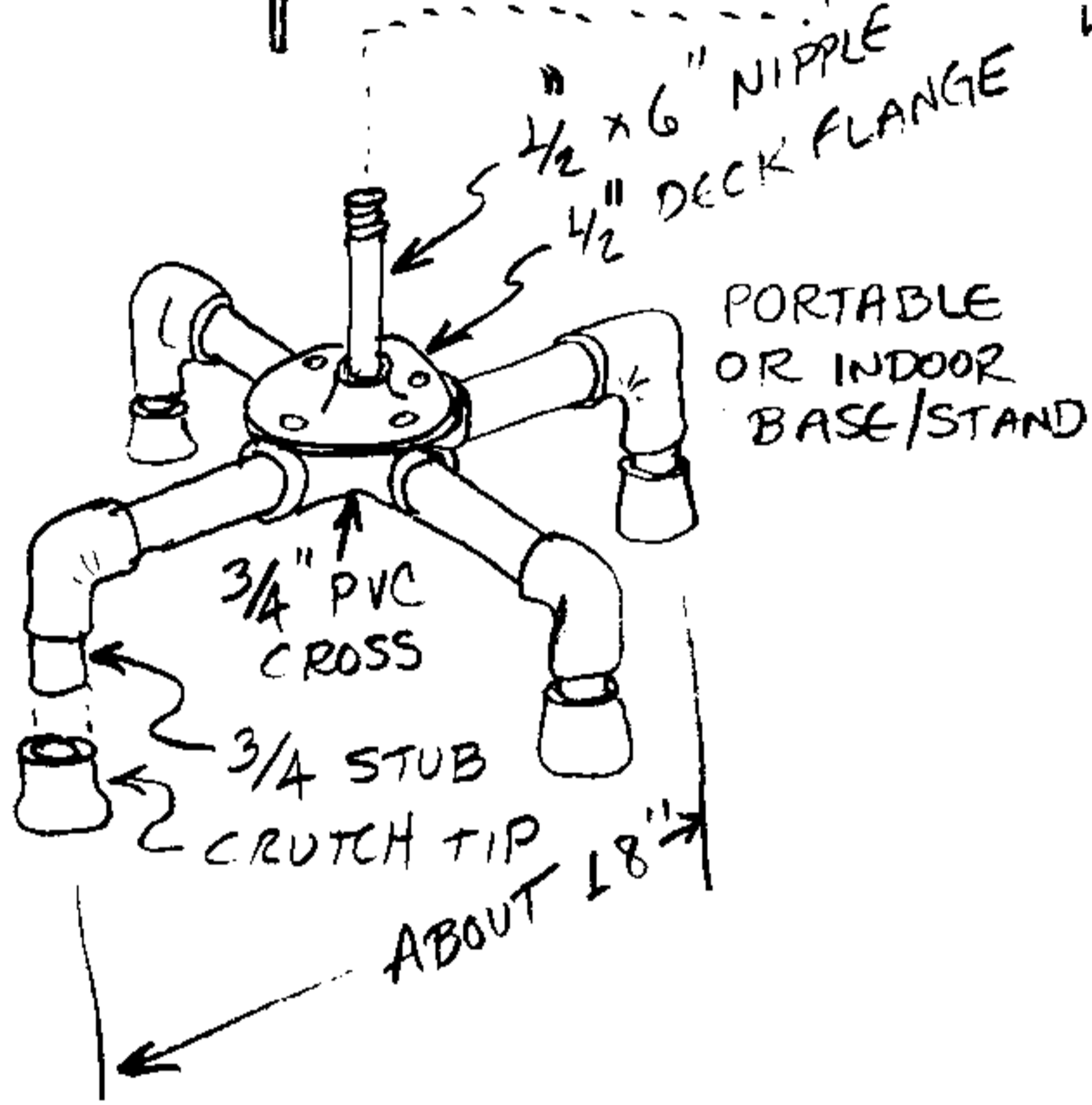
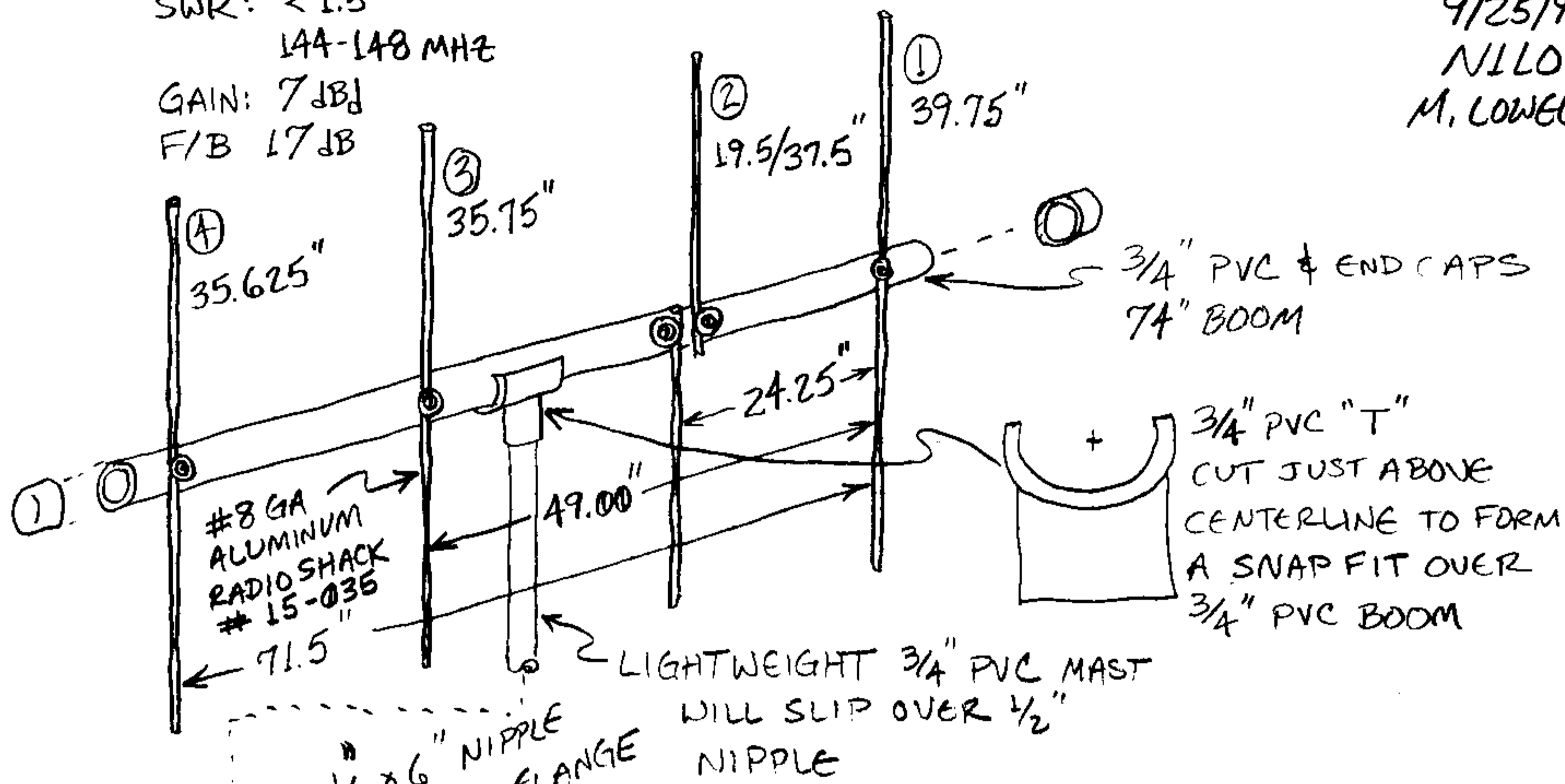


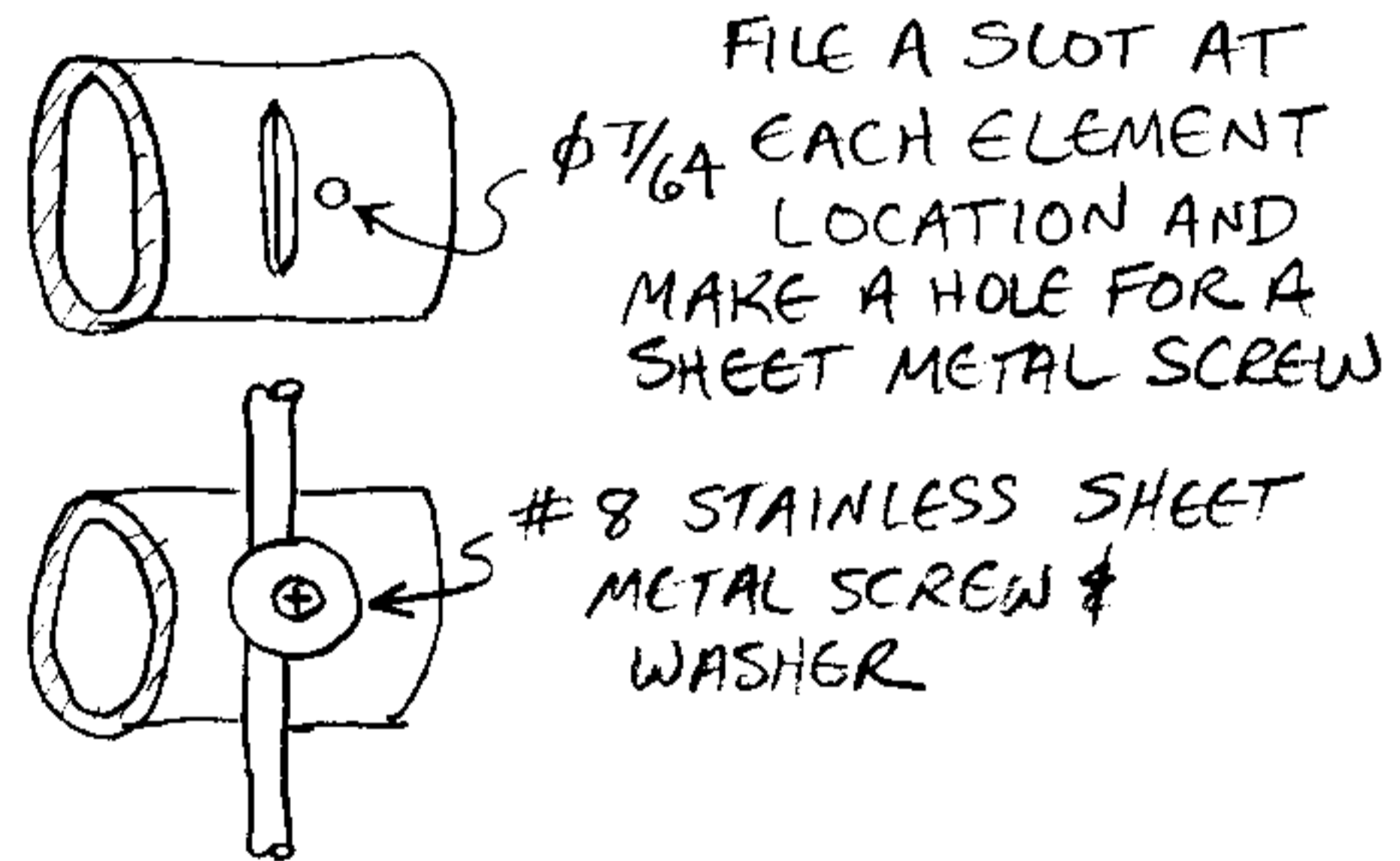
# PORTABLE 4 ELEMENT, 2m BEAM ANTENNA

9/25/97  
NULO  
M. LOWELL

SWR: < 1.5  
144-148 MHz  
GAIN: 7 dB  
F/B 17 dB



## ELEMENT ATTACHMENT DETAIL



## FEED POINT

